

# Aluminum Pressure Regulators 1682M Series & C-1682M Series

## Application

The 1682M Series Regulators are designed primarily for second stage regulation of a variety of gases in industrial piping systems, hospital piping systems and manifold systems.

The C-1682M Series is specifically designed for use with Carbon Dioxide.

## Features

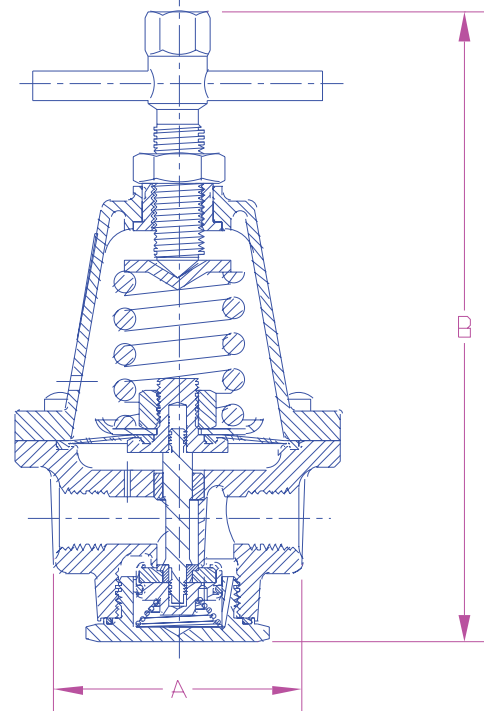
- Maximum inlet pressure is 400 PSIG.
- Two 1/4" F.NPT gauge ports are located 180° apart to allow for gauge mounting in the most convenient positions.
- Each 1680M Series regulator is cleaned and packaged for oxygen per CGA G-4.1.
- 100% Factory Tested
- T-handle adjusting screw.
- Available in three delivery pressure ranges.
- Temperature Range: -40° F to +165°F (-40°C to +74°C)

## Materials

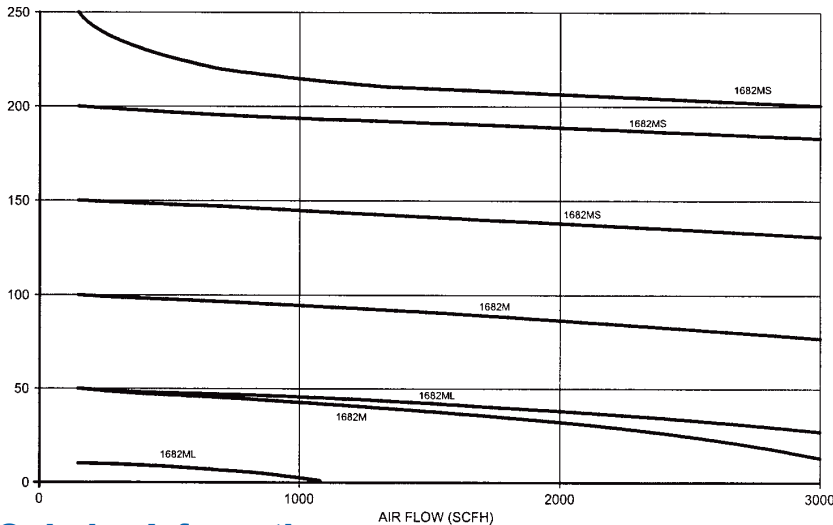
Body ..... Forged Aluminum  
 Bonnet ..... Cast Aluminum  
 Seat Disc (1682M) ..... Neoprene  
 Seat Disc (C-1682M) ..... EPDM  
 Diaphragm (1682M) ..... Neoprene  
 Diaphragm (C-1682M) ..... EPDM



C-1682M



1682M SERIES REGULATOR FLOW PERFORMANCE



## Ordering Information

Part Number		Delivery Pressure Range (PSI)	Pressure Gauge		Inlet & Outlet Connection (F.NPT)	Width A	Maximum Height B
			Range (PSI)	Part Number			
1682ML	C-1682ML	5-50	*	*	1/4"	2 <sup>3</sup> / <sub>16</sub> "	4 1/8"
1682MLG	C-1682MLG		1-100	1286			
1682M	C-1682M	50-125	*	*			
1682MG	C-1682MG		1-200	S1679			
1682MS	C-1682MS	100-250	*	*			
1682MSG	C-1682MSG		1-400	15578			

\* Pressure gauge not included.