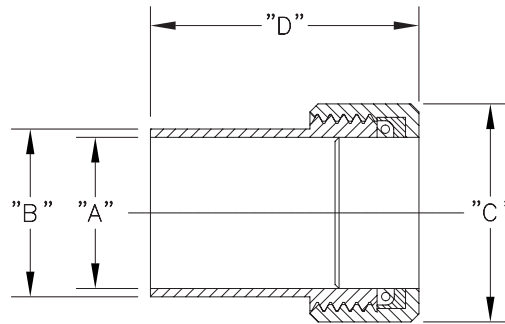


Quikconnect Vacuum Couplings

Features

- An extensive range of tube sizes available. Most sizes nest, and can be used as reducers in combination with one another.
- May be used for vacuum down to 1×10^{-8} Microns
- Viton O-rings are standard
- "Quikconnect" vacuum couplings have four basic components:
 - * Knurled Nut
 - * Retainer Ring
 - * O-ring
 - * Sleeve



Ordering Information

Quikconnect Vacuum Couplings

Brass Machine Finish	"A"		"B"		"C"		"D"		Tube OD Size	
	Inches	mm	Inches	mm	Inches	mm	Inches	mm	Inches	mm
B-006-M	0.072"	2	0.375"	10	5/8"	16	1 1/32"	26	1/16"	2
B-012-M	0.135"	3							1/8"	3
B-018-M	0.197"	5							3/16"	5
B-025-M	0.260"	7							1/4"	6
B-031-M	0.322"	8	0.500"	13	1 3/16"	16	1 1/4"	32	5/16"	8
B-038-M	0.385"	10							3/8"	9
B-050-M	0.510"	13							1/2"	13
B-062-M	0.635"	16	0.750"	19	1 1/8"	28	1 3/8"	35	5/8"	16
B-075-M	0.760"	19	0.875"	22	1 1/4"	32	1 1/2"	38	3/4"	19
B-087-M	0.885"	22	1.000"	25	1 7/16"	36	1 23/32"	44	7/8"	22
B-100-M	1.010"	26	1.125"	28	1 1/2"	38	1 13/16"	46	1"	25
B-112-M	1.135"	29	1.250"	32	1 5/8"	41	1 15/16"	49	1 1/8"	28
B-125-M	1.260"	32	1.500"	38	2"	51	1 3/16"	30	1 1/4"	32
B-138-M	1.385"	35	1.625"	41					1 3/8"	35
B-150-M	1.150"	29	1.750"	44					1 1/2"	38
B-162-M	1.635"	41	1.875"	48	2 3/8"	60	2 1/4"	57	1 5/8"	41
B-200-M	2.010"	51	2.250"	57	2 3/4"	70	2.70"	69	2"	51

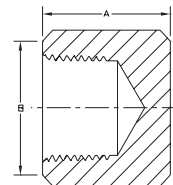
Brass Pipe Caps

Application

For capping cryogenic tank piping or gas pipelines.

Features

- Machined from brass
- For 600 psig (41.37 barg) maximum working pressure service.
- Part number stamped on cap
- Cleaned for oxygen per CGA G-4.1



Ordering Information

Part Number	Thread Connections		Dim. A		Dim. B		Dim. C	
	Inches	mm	Inches	mm	Inches	mm	Inches	mm
CAP750	3/4" Female NPT	19	1.250"	32	1.313"	33	1.313"	33
CAP1000	1" Female NPT	25	1.500"	38	1.750"	44	1.750"	44
CAP1500	1 1/2" Female NPT	38	1.750"	44	2.375"	60	2.375"	60
CAP2000	2" Female NPT	51	2.000"	51	3.250"	82	3.250"	82