

1206A Series

Packed Wrench-Operated Valves for Anhydrous Ammonia Applications

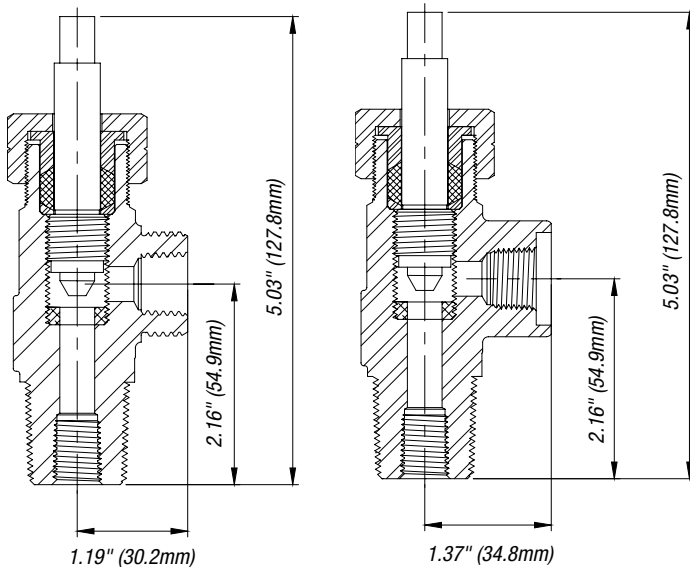


1206AX5

Designed for anhydrous ammonia applications, including commercial refrigeration, metal treating and chemical manufacturing.

Key Features & Benefits

- One-piece lead carbon steel, case-hardened, nickel-plated stem provides positive shut-off in corrosive gas service with exceptional durability
- One-piece PTFE packing promotes easy operation while providing a durable leak-resistant stem seal
- Designed to ensure a safe, long, trouble-free life under all service conditions
- Meets CGA standards
- 1206AX5 compatible with both CGA 705 and 240 outlets
- 1206AX9 compatible with CGA 240 outlet only
- Inlet Tap 1/4"-18 NPT



1206AX5

1206AX9

Design Specifications

	English	Metric
Maximum Working Pressure	3000 PSI	207 Bar
Burst Pressure	15,000 PSI	1034 Bar
Leak Rate	1x10 ⁻⁵ atm cc/s	1x10 ⁻⁵ Bar mL/sec
Operating Temperature	-50° F → +130° F	-45° C → +54° C
Operating Torque	5–6.5 ft.-lbs.	6.8–8.8 N-m
Closing Torque	15 ft.-lbs.	20.3 N-m
Cv Flow Factor	0.733	0.733
Cycle Life	1000 Minimum	1000 Minimum

For Product Markings Reference, see **D** on page 66.

Industrial Gas Valves

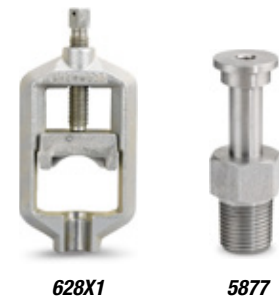
1206A Series

Packed Wrench-Operated Valves for Anhydrous Ammonia Applications

Materials of Construction		
Sherwood Part Number	Part Description	Materials of Construction
P1206A-2C	Stem	12L14 Carbon Steel with Nickel Plating
P1206-4C	Packing Nut	12L14 Carbon Steel with Zinc Plating
P1206-3C	Packing Gland	12L14 Carbon Steel with Zinc Plating
P5325-6T	Packing	PTFE
P1206-5C	Packing Washer	12L14 Carbon Steel with Zinc Plating
N/A	Seat	Tin (SN)
N/A	Body	303 Stainless Steel

Standards Conformance	
CGA V-9	Standards for Gas Cylinder Valves
CGA S1.1	Standards for Pressure Relief Devices
CGA V-1	Compressed Gas Cylinder Valve Outlet
A-A-59860	US General Services Administration Standards for Gas Cylinder Valves

Ordering Information		
Sherwood Part Number	Description	CGA Outlet
1206AX5	Packed Ammonia Cylinder Valve	705, 240
1206AX9	Packed Ammonia Cylinder Valve with Lead Washer Recess	240
628X1	Ammonia Yoke	845
5877	Adapter	845



For Product Markings Reference, see **D** on page 66.