



Goddard 222 Series Bronze Globe Valve for Cryogenic Service Including 226LL, 226GF, 226ULL



Features:

- **Top Entry:** This union bonnet valve can be permanently installed in the line and serviced from the top. Stainless Steel tube prevents stem distortion. Also available in bolted bonnet configuration.
- **Construction:** Bronze cast body and bonnet Rugged construction for long life
- **Designed with the unique Kold-Seal™** and high CV. standard PTFE seat design assures bubble tight seating and high cycle life
- **Sizes:** ¼" through 3" (8mm through 80mm)
- **Ends:** Threaded (FNPT), Sil Braze Tube (SBT), Silver Braze Pipe, back brazed threaded pipe nipples
- **Service:** Liquified and vaporized atmospheric gases, LNG
- **Temperature Rating:** -325°F to 150°F (-196°C to +65°C)
- **Pressure Rating:** (Cold, Non-shock)
400 and 600 PSIG
Sizes 1½" to 3" PED approved per EN10204, 3.1

Kold-Seal™ Technology assures tight seal preventing cryogen gas loss.

Special bonnet lengths available upon request.

Extended stem suitable for cold box, transport vehicles, pipelines, and customer service applications.

Live loaded option improves life of asset and minimizes service costs.

Replaceable top works means low maintenance costs.



Goddard 222 Series Bronze Globe Valve for Cryogenic Service Including 226LL, 226GF, 226ULL

222X

Bronze Globe Valves
 Extended Stem - Conical Seat
 400 PSIG Cold Working Pressure

Threaded End

Part Number	NPT size Inches	NPT Size mm	Ends	Weight Lbs.	Weight Kgs.	Estimated Cv
B-00222X-2T4	¼"	8 mm	Threaded	1.50 Lbs.	0.70 Kgs.	1.30
B-00222X-4T4	½"	15 mm	Threaded	1.50 Lbs.	0.70 Kgs.	3.25
B-00222X-6T4	¾"	20 mm	Threaded	3.00 Lbs.	1.40 Kgs.	6.25
B-00222X-8T4	1"	25 mm	Threaded	4.00 Lbs.	1.80 Kgs.	10.00
B-00222X-12T4	1½"	40 mm	Threaded	7.75 Lbs.	3.50 Kgs.	26.00
B-00222X-16T4	2"	50 mm	Threaded	12.50 Lbs.	5.70 Kgs.	45.00
B-00222X-20T4	2½"	63.5 mm	Threaded	61.00 Lbs.	27.70 Kgs.	50.00
B-00222X-24T4	3"	80 mm	Threaded	61.00 Lbs.	27.70 Kgs.	100.00

Sil Brazed End

Part Number	SBT size Inches	SBT Size mm	Ends	Weight Lbs.	Weight Kgs.	Estimated Cv
B-00222X-4S4	½"	15 mm	Silver Braze	2.00 Lbs.	0.90 Kgs.	3.25
B-00222X-6S4	¾"	20 mm	Silver Braze	2.75 Lbs.	1.30 Kgs.	6.25
B-00222X-8S4	1"	25 mm	Silver Braze	3.75 Lbs.	1.70 Kgs.	10.00
B-00222X-12S4	1½"	40 mm	Silver Braze	7.25 Lbs.	3.30 Kgs.	26.00
B-00222X-16S4	2"	50 mm	Silver Braze	11.50 Lbs.	5.20 Kgs.	45.00
B-00222X-24S4	3"	80 mm	Silver Braze	58.00 Lbs.	26.40 Kgs.	100.00

226LL

Bronze Globe Valves
 Live Load Packing
 Extended Stem
 600 PSIG Cold Working Pressure

Threaded End

Part Number	NPT size Inches	NPT Size mm	Ends	Weight Lbs.	Weight Kgs.	Estimated Cv
B-0226LL-2T6	¼"	8 mm	Threaded	1.50 Lbs.	0.70 Kgs.	1.30
B-0226LL-3T6	⅜"	10 mm	Threaded	1.50 Lbs.	0.70 Kgs.	2.40
B-0226LL-4T6	½"	15 mm	Threaded	1.50 Lbs.	0.70 Kgs.	3.25
B-0226LL-6T6	¾"	20 mm	Threaded	3.00 Lbs.	1.40 Kgs.	6.25
B-0226LL-8T6	1"	25 mm	Threaded	4.00 Lbs.	1.80 Kgs.	10.00

Sil Brazed Ends

Part Number	SBT size Inches	SBT Size mm	Ends	Weight Lbs.	Weight Kgs.	Estimated Cv
B-0226LL-4S6	½"	15 mm	Silver Braze	2.00 Lbs.	0.90 Kgs.	3.25
B-0226LL-6S6	¾"	20 mm	Silver Braze	2.75 Lbs.	1.30 Kgs.	6.25
B-0226LL-8S6	1"	25 mm	Silver Braze	3.75 Lbs.	1.70 Kgs.	10.00



Goddard 222 Series Bronze Globe Valve for Cryogenic Service Including 226LL, 226GF, 226ULL

226ULL

Bronze Globe Valves
Live Loaded Packing - Union Bonnet
Extended Stem
600 PSIG Cold Working Pressure

Threaded End

Part Number	NPT size Inches	NPT Size mm	Ends	Weight Lbs.	Weight Kgs.	Estimated Cv
B-226ULL-12T6	1½"	40 mm	Threaded	7.75 Lbs.	3.50 Kgs.	26.00
B-226ULL-16T6	2"	50 mm	Threaded	12.50 Lbs.	5.70 Kgs.	45.00

Sil Brazed Ends

Part Number	SBT size Inches*	SBT Size mm*	Ends	Weight Lbs.	Weight Kgs.	Estimated Cv
B-226ULL-12S6	1½"	40 mm	Silver Braze	7.25 Lbs.	3.30 Kgs.	26.00
B-226ULL-16S6	2"	50 mm	Silver Braze	11.50 Lbs.	5.20 Kgs.	45.00

*Nominal Size

226XGF

Bronze Globe Valves
Extended Stem - Conical Seat GRAFIOIL Packing, Gasket and PFA Seat
600 PSIG Cold Working Pressure

Threaded End

Part Number	NPT size Inches	NPT Size mm	Ends	Weight Lbs.	Weight Kgs.	Estimated Cv
VB-226XGF-4T6	½"	15 mm	Threaded	1.50 Lbs.	0.70 Kgs.	3.25
VB-226XGF-6T6	¾"	20 mm	Threaded	3.00 Lbs.	1.40 Kgs.	6.25
VB-226XGF-8T6	1"	25 mm	Threaded	4.00 Lbs.	1.80 Kgs.	10.00

226BLL

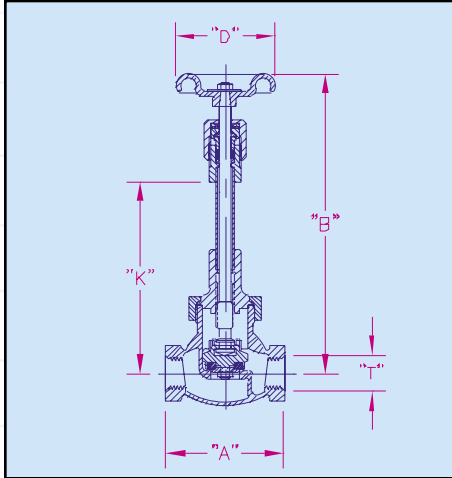
Bronze Globe Valves
Live Loaded Packing - Bolted Bonnet
Extended Stem
600 PSIG Cold Working Pressure

Threaded End

Part Number	NPT size Inches	NPT Size mm	Ends	Weight Lbs.	Weight Kgs.	Estimated Cv
B-226BLL-12T6	1½"	40 mm	Threaded	7.75 Lbs.	3.50 Kgs.	26.00
B-226BLL-16T6	2"	50 mm	Threaded	12.50 Lbs.	5.70 Kgs.	45.00



Goddard 222 Series Bronze Globe Valve for Cryogenic Service Including 226LL, 226GF, 226ULL

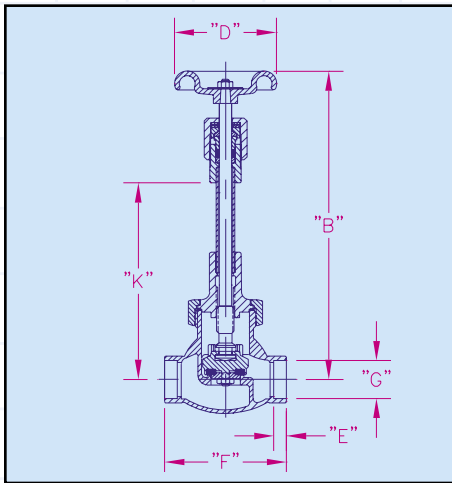


226ULL
 Pressure Rating 600 PSIG
 Temperature Rating +150°F to -325°F

Dimensional data
 All Dimensional Data are in inches.

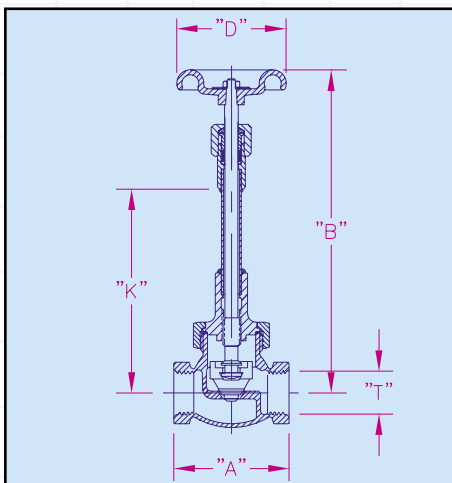
THREADED ENDS

Size	"A"	"B"	"D"	"T" NPT	"K"
1½"	4¾"	14 ⁵ / ₈ "	4"	1½"	9 ¹¹ / ₁₆ "
2"	5¾"	15 ¹ / ₈ "	4¾"	2"	9 ¹¹ / ₁₆ "



SIL BRAZED END

Size	"B"	"D"	"E"	"F"	"G"	"K"
1½"	14 ⁵ / ₈ "	4"	5/8"	5¼"	1.63"	9 ¹¹ / ₁₆ "
2"	15 ¹ / ₈ "	4¾"	2 ¹ / ₃₂ "	6½"	2.13"	9 ¹¹ / ₁₆ "



226XGF
 Pressure Rating 600 PSIG
 Temperature Rating +150°F to -325°F

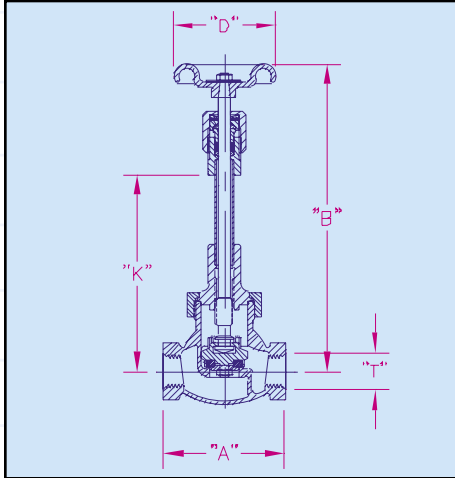
Dimensional data
 All Dimensional Data are in inches.

THREADED ENDS

Size	"A"	"B"	"D"	"T" NPT	"K"
½"	2 ⁵ / ₈ "	8¼"	2 ³ / ₈ "	½"	4 ⁷ / ₈ "
¾"	3 ³ / ₁₆ "	8 ⁵ / ₈ "	2 ³ / ₄ "	¾"	4 ¹³ / ₁₆ "
1"	3¾"	10½"	3"	1"	6½"



Goddard 222 Series Bronze Globe Valve for Cryogenic Service Including 226LL, 226GF, 226ULL

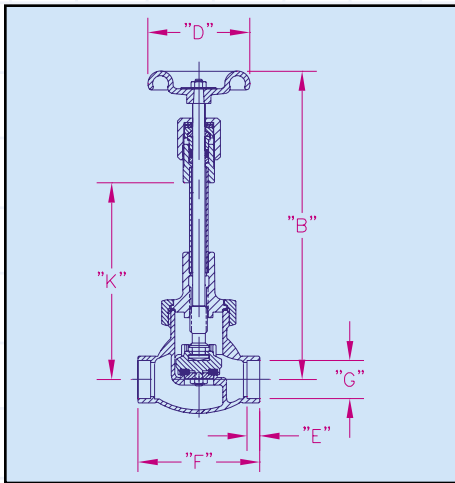


226ULL
 Pressure Rating 600 PSIG
 Temperature Rating +150°F to -325°F

Dimensional data
 All Dimensional Data are in inches.

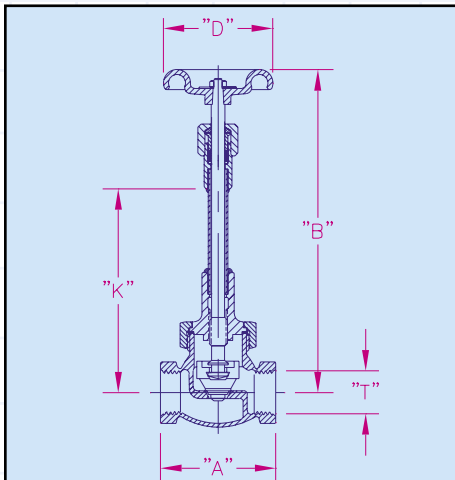
THREADED ENDS

Size	"A"	"B"	"D"	"T" NPT	"K"
1½"	4¾"	14⅝"	4"	1½"	9⅛"
2"	5¾"	15⅝"	4¾"	2"	9⅛"



SIL BRAZED END

Size	"B"	"D"	"E"	"F"	"G"	"K"
1½"	14⅝"	4"	⅝"	5¼"	1.63"	9⅛"
2"	15⅝"	4¾"	21/32"	6½"	2.13"	9⅛"



226XGF
 Pressure Rating 600 PSIG
 Temperature Rating +150°F to -325°F

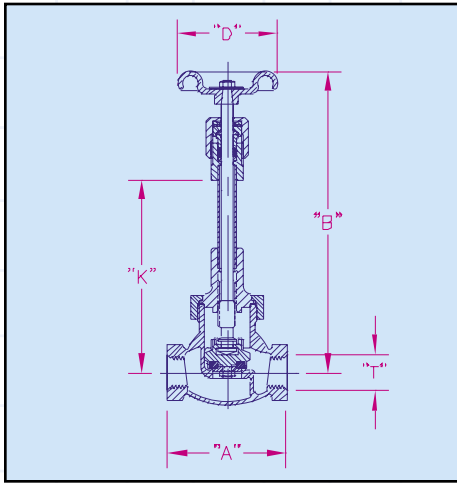
Dimensional data
 All Dimensional Data are in inches.

THREADED ENDS

Size	"A"	"B"	"D"	"T" NPT	"K"
½"	2⅝"	8¼"	2⅝"	½"	4⅞"
¾"	3 ⅜"	8⅝"	2¾"	¾"	4 13/16"
1"	3¾"	10½"	3"	1"	6½"



Goddard 222 Series Bronze Globe Valve for Cryogenic Service Including 226LL, 226 GF, 226ULL



226LL

Pressure Rating 600 PSIG

Temperature Rating +150° F to -325° F

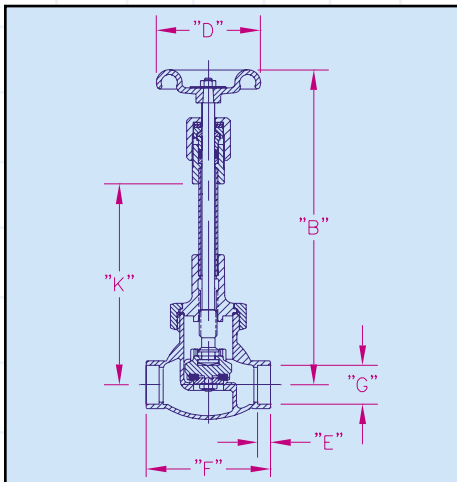
Dimensional Data

All Dimensions are in Inches

THREADED ENDS

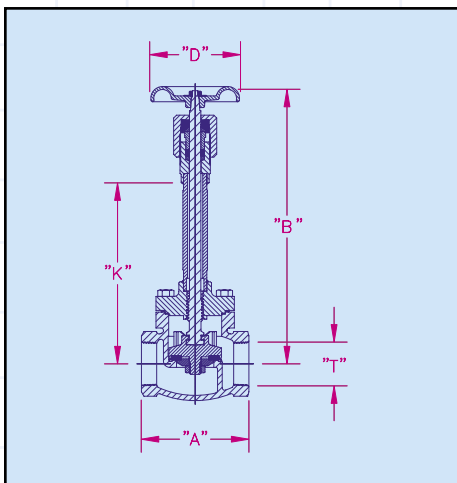
Size	"A"	"B"	"D"	"T" NPT	"K"
1/4"	2 5/16"	7 9/16"	2"	1/4"	4 19/32"
3/8"	2 5/16"	7 9/16"	2"	3/8"	4 19/16"
1/2"	2 5/8"	8 1/4"	2 3/8"	1/2"	4 7/8"
3/4"	3 3/16"	8 5/8"	2 3/4"	3/4"	4 13/16"
1"	3 3/4"	10 1/2"	3"	1"	6 1/2"

*Bolted Bonnet



SIL BRAZED ENDS

Size	"B"	"D"	"E"	"F"	"G"	"K"
1/2"	8 1/4"	2 3/8"	3/8"	3 1/4"	.63	4 7/8"
3/4"	8 5/8"	2 3/4"	13/32"	3 3/4"	.88	4 13/16"
1"	10 1/2"	3"	7/16"	4 1/4"	1.13	6 1/2"



THREADED ENDS - BOLTED BONNET

Size	"A"	"B"	"D"	"T" NPT	"K"
1 1/2"	4 3/4"	14 5/8"	4"	1 1/2"	9 11/16"
2"	5 3/4"	14 15/16"	4 3/4"	2"	9 11/16"