

LNG Regulators RG Series

Application

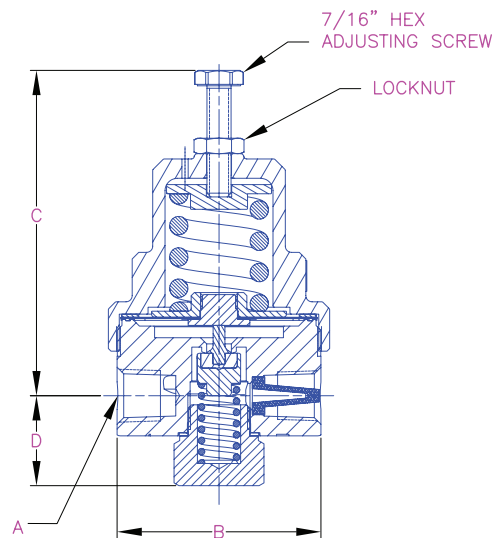
The RG series LNG regulators are primarily designed to maintain pressure on liquid within LNG containers. They may also be used in LNG lines, vaporizer and converter applications. They are especially useful in installations where space and cost limitations are important.

Features

- All parts are copper alloy (brass), PTFE and stainless steel—materials selected specifically for compatibility with LNG temperatures.
- Body and bonnet machined from solid brass bar stock.
- PTFE seat helps assure a positive shut-off at LNG temperatures.
- High and low pressure regulators are the same compact size—designed to fit in close quarters.
- Interchangeable with existing LNG regulator units.
- Inlet filter helps prevent foreign material from entering the regulator.
- Locknut is provided to maintain adjusting screw setting.
- Maximum inlet pressure of 550 PSIG. (37.92 Bar)
- 100% Factory Tested

Materials

Body	Brass
Bonnet	Brass
Seat Retainer.....	Brass
Seat	PTFE
Springs	Stainless Steel
Diaphragm Gasket.....	PTFE
Backcap Gasket	Copper
Diaphragm.....	Bronze



Ordering Information

Part Number	Inlet / Outlet Connections (F.NPT) A	Width B	C	D	Pressure Setting (PSIG)	Operating Range (PSIG)
RG022A	1/4"	2 1/16"	3"	1"	22	0-30
RG125A					125	25-250
RG125C3	3/8"				300	125-350
RG300A	1/4"				90	30-250
RG901AG						