

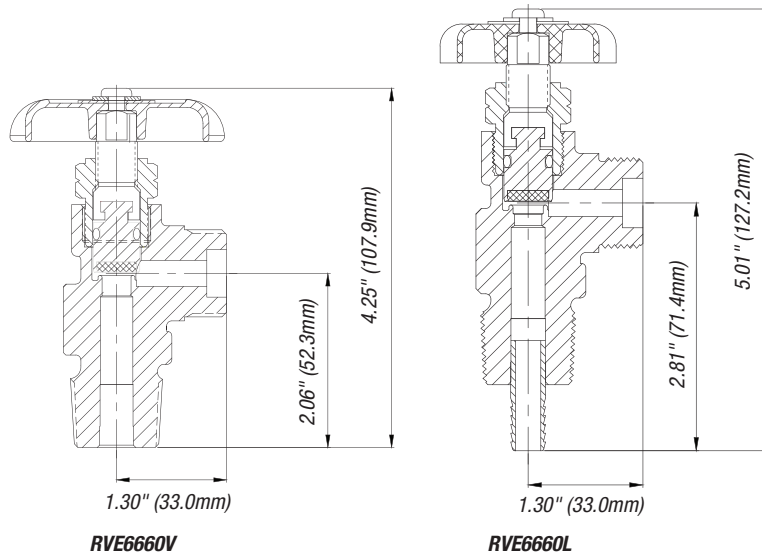
Refrigerant Recovery Valves



RVE6660V
Vapor Service



RVE6660L
Liquid Service



Designed to assure the cleanest, driest refrigerant gas for the most efficient operation of any HVACR system. Meets the Clean Air Act of 1990 with the highest materials demands by the EPA.

Key Features & Benefits

- Replaceable bonnet and stem assembly
- PTFE coated anti-galling stem for ease of operation
- Replaceable color-coded handwheels
- Valves engineered and manufactured for durability and longevity, employing time-proven concepts, processes and methods
- Major component forged and machined from brass alloys controlled to exacting specifications of the Copper Development Association, Inc.

Materials of Construction

Part Description	RVE6660L	RVE6660V
Body	Brass C37700	Brass C37700
Bonnet & Stem Sub		
Bonnet	Brass C36000	Brass C36000
Upper Stem	Brass C36000	Brass C36000
Gasket	Nylon 101	Nylon 101
Lower Stem Sub	O-Ring: Buna N/Nitrile Lower Stem: Brass C36000 Seat: Nylon 101	O-Ring: Buna N/Nitrile Lower Stem: Brass C36000 Seat: Nylon 101
Handwheel	ASTM SC848 Aluminum Die Cast	ASTM SC848 Aluminum Die Cast
Decal Plate	Polyethylene Low Density	Polyethylene Low Density
Washer	Steel w/Zinc Plate	Steel w/Zinc Plate
Screw	Steel w/Zinc Plate	Steel w/Zinc Plate
Tube	Brass C36000	—
Thread Sealant	Everseal 183	Everseal 183

Key Replacement Parts RVE6660V

Sherwood Part Number	Description
3250-9LH-KIT	Bonnet & Stem Assembly
1901B	Vapor Handwheel (blue)
3250-9V	Decal Plate (vapor)
J23B19RA	Washer
J12-F10-85AP	Screw

Key Replacement Parts RVE6660L

Sherwood Part Number	Description
3250-9LH-KIT	Bonnet & Stem Assembly
1901R	Liquid Handwheel (red)
3250-9L	Decal Plate (liquid)
J23B19RA	Washer
J12-F10-85AP	Screw

Refrigerant Recovery Valves



YVE445FR



YVE3865FR

YVE445FR Relief Valve

Key Features & Benefits

- For 1" NPT tank connection
- Up to 1000 lb. water capacity
- 260 PSI Working Pressure
- Start to discharge pressure: 390–520 PSI

YVE3865FR Relief Valve

Key Features & Benefits

- Relief valve for half-ton, portable refrigerant tanks
- Up to 1000 lb. water capacity containers
- Cylinder Working Pressure up to 260 PSI
- Used in conjunction with vapor and liquid recovery valve sets
- Safety set pressure: 500 PSI
- Start to discharge pressure: 490–520 PSI

Materials of Construction for YVE445FR Valves	
Part Description	Materials of Construction
Body	Brass C36000
Stem & Poppet Sub	
Poppet	Brass C36000
Seat	Neoprene W
Nut	Steel w/Zinc Plating
Stem	Steel w/Zinc Plating
Thread Sealant	Titan 7271
Guide	Brass C36000
Washer	Brass C36000
Spring	302 Stainless Steel
Retainer	Brass C36000
Protective Closure	Polyethylene Low Density
Thread Sealant	Everseal 183

Materials of Construction for YVE3865FR Valves	
Part Description	Materials of Construction
Body	Brass C36000
Poppet Assembly	
Poppet	Brass C36000
Seat	Neoprene W
Spring	302 Stainless Steel
Retainer	Brass C36000
Protective Closure	Polyethylene
Thread Sealant	Everseal 183

Ordering Information				
Sherwood Part Number	Description	Tank Connection	CGA Outlet	Handwheel
RVE6660V	Vapor Service Valve	¾"–14 NGT	660	Blue to Indicate Vapor Service
RVE6660L	Liquid Service Valve	¾"–14 NGT	660	Red to Indicate Liquid Service
YVE445FR	Relief Valve	1" NPT	None	None
YVE3865FR	Relief Valve	¼"–18 NPT	None	None